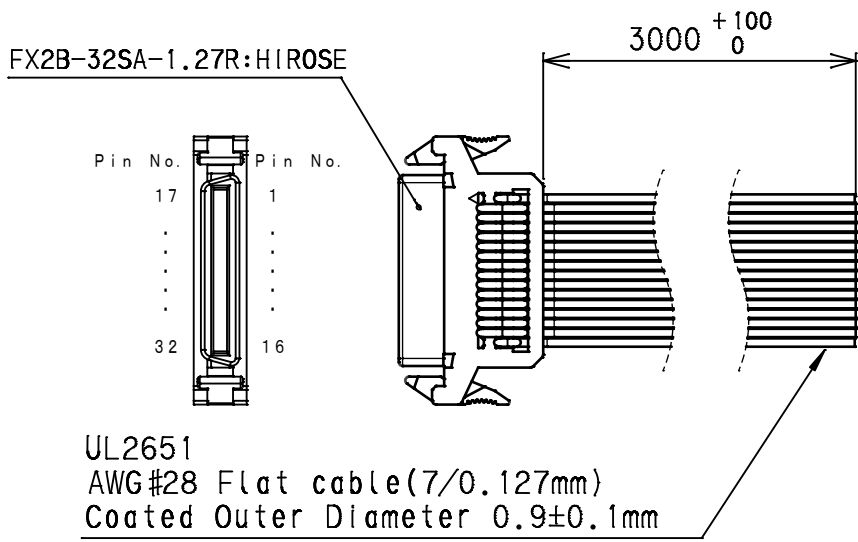


A
B
C
D



No.	colors	No.	colors
1	brown	17	brown
2	red	18	red
3	orange	19	orange
4	yellow	20	yellow
5	green	21	green
6	blue	22	blue
7	purple	23	purple
8	gray	24	gray
9	white	25	white
10	black	26	black
11	brown	27	brown
12	red	28	red
13	orange	29	orange
14	yellow	30	yellow
15	green	31	green
16	blue	32	blue

UNIT:mm

REVISON	DATE	DESCRIPTION	REVISED
000			

ISSUE DATE	SCALE	APPROVED	NAME
2023/11/30	1 : 1	A.INADA	EXCB2-FX32-3
	SHEET SIZE	CHECKED	DRAWING NAME
	A4	K.SAITO	外觀図 Outline
	PROJECTION	DESIGNED	DRAWING No.
		T.MATSUSHITA	UE05959-G
		DRAWN	REVISION
		T.MATSUSHITA	000
			1/1